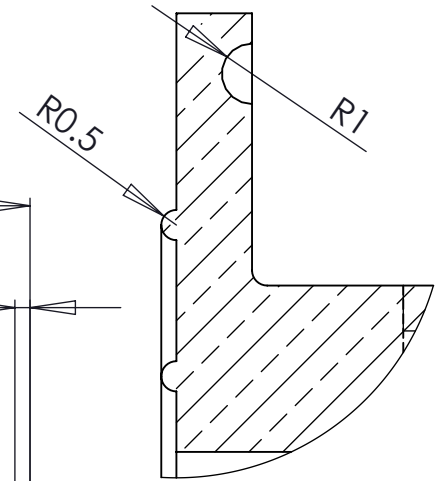
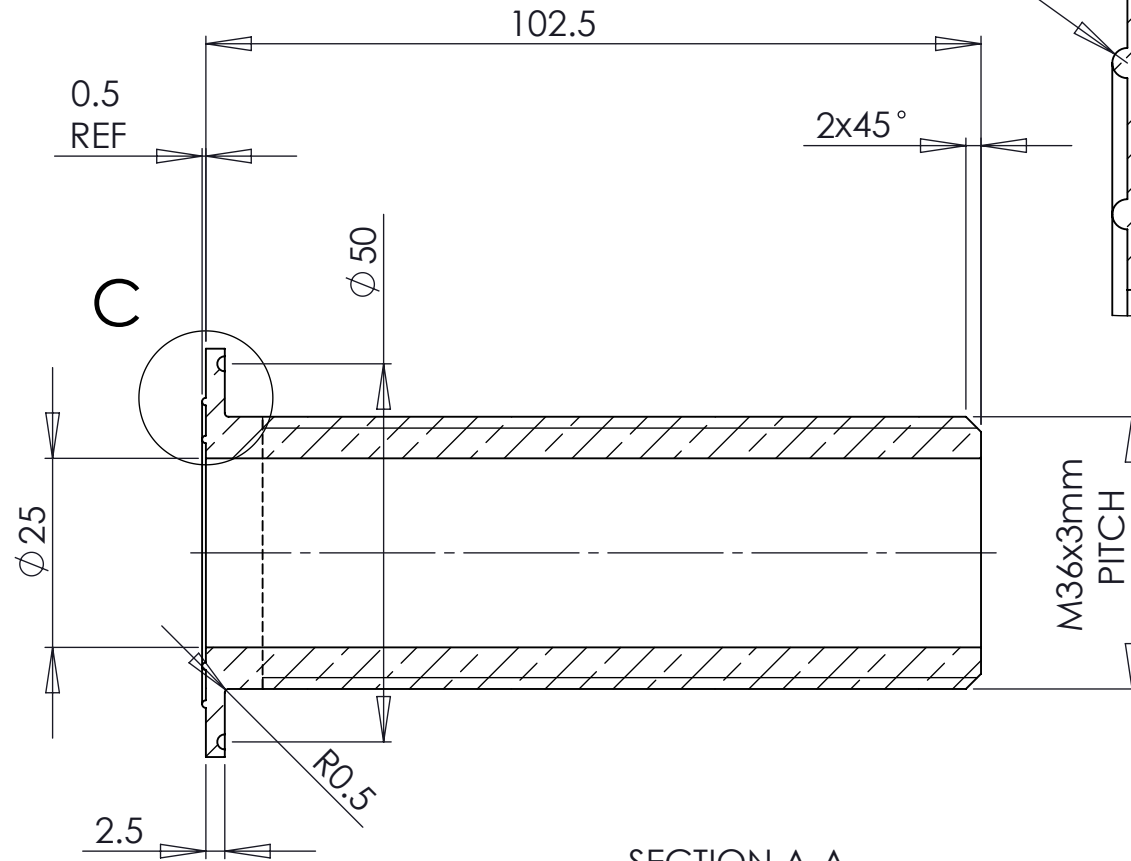
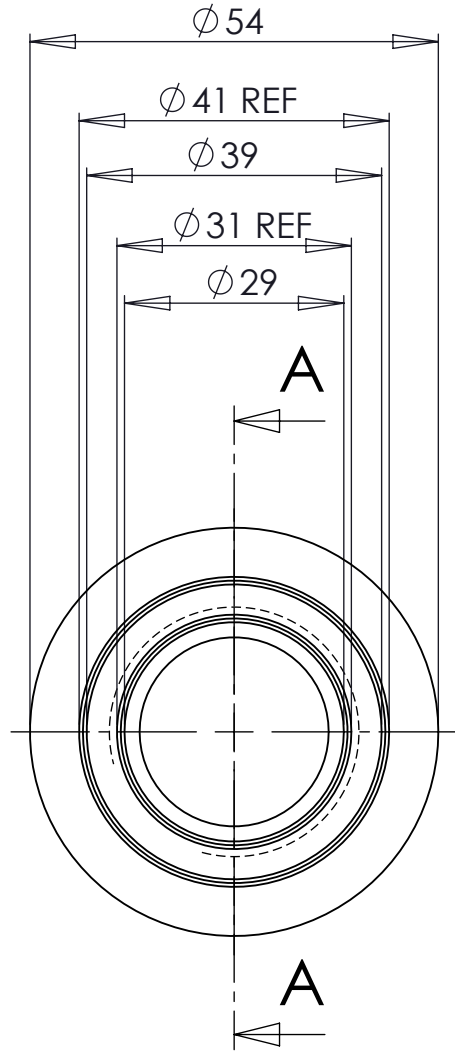


DO NOT SCALE

IF IN DOUBT ASK



DETAIL C
SCALE 4 : 1

SECTION A-A

ALL OVER

GEOMETRIC SYMBOLS			
STRAIGHTNESS	PROFILE OF A LINE	ANGULARITY	RUN OUT
FLATNESS	PROFILE OF A SURFACE	POSITION	BASIC DIMENSION
ROUNDNESS	PARALLELISM	CONCENTRICITY	MAXIMUM MATERIAL CONDITION
CYLINDRICITY	SQUARENESS	SYMMETRY	DATUM

THIRD ANGLE PROJECTION

ALL DIMENSIONS ARE IN MILLIMETERS

TOLERANCES ON CASTINGS, UNMACHINED PARTS AND FABRICATIONS, +/- 0.8
TOLERANCES ON MACHINED DIMENSIONS

WHOLE UNITS +/- 0.25
ONE DEC. PLACE +/- 0.1
TWO DEC. PLACE +/- 0.05
ANGLES +/- 0.5 DEG.

ALL UNSPECIFIED CHAMFERS 1 x 45
BREAK ALL SHARP EDGES 0.1 TO 0.5

THIS DRAWING IS THE PROPERTY OF Ocean LED LTD.
COPYRIGHT IS RESERVED BY THEM.
THE DRAWING IS ISSUED UNDER THE CONDITION THAT IT MUST NOT BE USED FOR ANY PURPOSE OTHER THAN WHICH IT IS SUPPLIED AND NOT BE COPIED, REPRODUCED, RETAINED OR DISCLOSED TO UNAUTHORISED PERSONS WHOLLY OR IN PART WITHOUT THE CONSENT IN WRITING OF Ocean LED LTD.

TITLE THRU HULL SLEEVE		
MATERIAL SPEC ALUMINIUM BRONZE AB2		
HEAT TREATMENT		
FINISH Natural		
DRAWN sant	DATE 01/04/2008	SCALE 1:1

	Ocean LED Ltd 21 Ptarmigan Place Attleborough Fields Ind. Est. NUNEATON CV11 6RX	
	Tel. 02476 371700 Fax. 02476 374840	
www.oceanled.com		SHEET 1 of 1
DRAWING NUMBER OL00207-01-001		revision A4